

LED HID Retrofit Kit



WARNING/ADVERTENCIA/AVERTISSEMENT

To reduce the risk of electrical shock, fire, or injury to persons; read and follow all warnings and installation instructions before installing. All installation should be performed by a qualified electrician.

Risk of Electric Shock

Ensure power is off before installation or inspection. All wirings are performed in accordance with Electrical Code and local electrical code.

Risk of Fire

Fixtures are rated for use in 120-277V, 50-60Hz protected circuit and 90°C rated supply wire.

Para reducir el riesgo de descarga eléctrica, incendio o lesiones a personas, lea y siga todas las advertencias e instrucciones de instalación antes de realizarla. Toda instalación debe ser efectuada por un electricista cualificado.

Riesgo de descarga eléctrica

Asegúrese de desconectar la corriente antes de la instalación o inspección. Todos los cableados se realizan de acuerdo con el Código Eléctrico y el código eléctrico local.

Riesgo de incendio

Las luminarias están clasificadas para su uso con 120-277 V, circuitos protegidos de 50-60 Hz y cables adecuados para 90 °C.

Lisez et suivez les instructions d'installation et les avertissements avant l'installation. Toute l'installation doit être exécutée par un électricien qualifié, pour réduire les risques de choc électrique, de feu ou de blessures corporelles.

Risque de choc électrique

Assurez-vous que le courant soit coupé avant l'installation ou l'inspection et que tout le câblage soit effectué en conformité avec le code d'électricité et le code local d'électricité.

Risque de feu

Les luminaires sont conçus pour une utilisation de 120 à 277 V, pour un circuit protégé de 50 à 60 Hz et pour une source d'alimentation de 90 °C.

FOR YOUR SAFETY

While performing installations described, gloves, safety glasses or goggles should be worn.

PARA SU SEGURIDAD

Mientras realice las instalaciones descritas, se recomienda el uso de guantes y gafas de seguridad.

POUR VOTRE SÉCURITÉ

Vous devriez porter des gants et des verres de protection lors des installations détaillées.

Any alteration or modification of this product is expressly forbidden as it may cause serious personal injury, death, property damage and/or product malfunction.

To prevent product malfunction and/or electrical shock, this product must be properly grounded

To prevent wiring damage or abrasion, do not expose wiring to edges of sheet metal or other sharp objects.

Do not alter, relocate, or remove wiring, lampholders, power supply, or any other electrical component.

SUITABLE FOR WET LOCATIONS.

Cualquier alteración o modificación de este producto está prohibido expresamente, ya que puede causar graves lesiones personales, muerte, daños a la propiedad y / o mal funcionamiento del producto.

Para evitar el mal funcionamiento del producto y / o descargas eléctricas, este producto debe estar correctamente conectado a tierra

Para evitar daños en el cableado o abrasiones, no exponga el cableado a hojas de metal laminado u otros objetos cortopunzantes.

No altere, reubique o elimine cables, portalámparas, tomacorriente o cualquier otro componente eléctrico.

APTO PARA LUGARES HÚMEDOS.

Toute altération ou modification de ce produit est expressément interdite car elle peut causer des blessures graves, la mort, des dégâts matériels et / ou un dysfonctionnement du produit.

Pour éviter tout dysfonctionnement du produit et / ou un choc électrique, ce produit doit être correctement mise à la terre

Pour prévenir les dommages ou l'abrasion, ne pas mettre en contact le câblage avec des bords de plaques de metal ou tout autre objet coupant.

Ne pas modifier, délocaliser ou enlever du câblage, des supports de lampes, une source d'alimentation ou tout autre composant électrique.

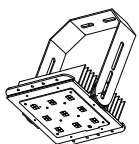
CONVIENT AUX ENDROITS HUMIDES.

INSIDE THE BOX

HID Retrofit Kit

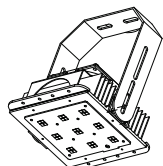


E39 Adapter



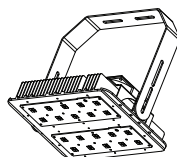
50W

or



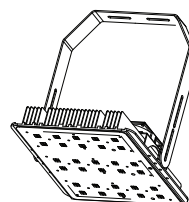
120W

or



200W

or



300W

Plusrite USA
2000 S. Grove Ave, Bldg B
Ontario CA 91761

T:909-930-6868
T:888-758-7443
F:909-930-9988

www.mynatural^{ed}.com

LED HID Retrofit Kit

INSTALLATION/INSTALACIÓN

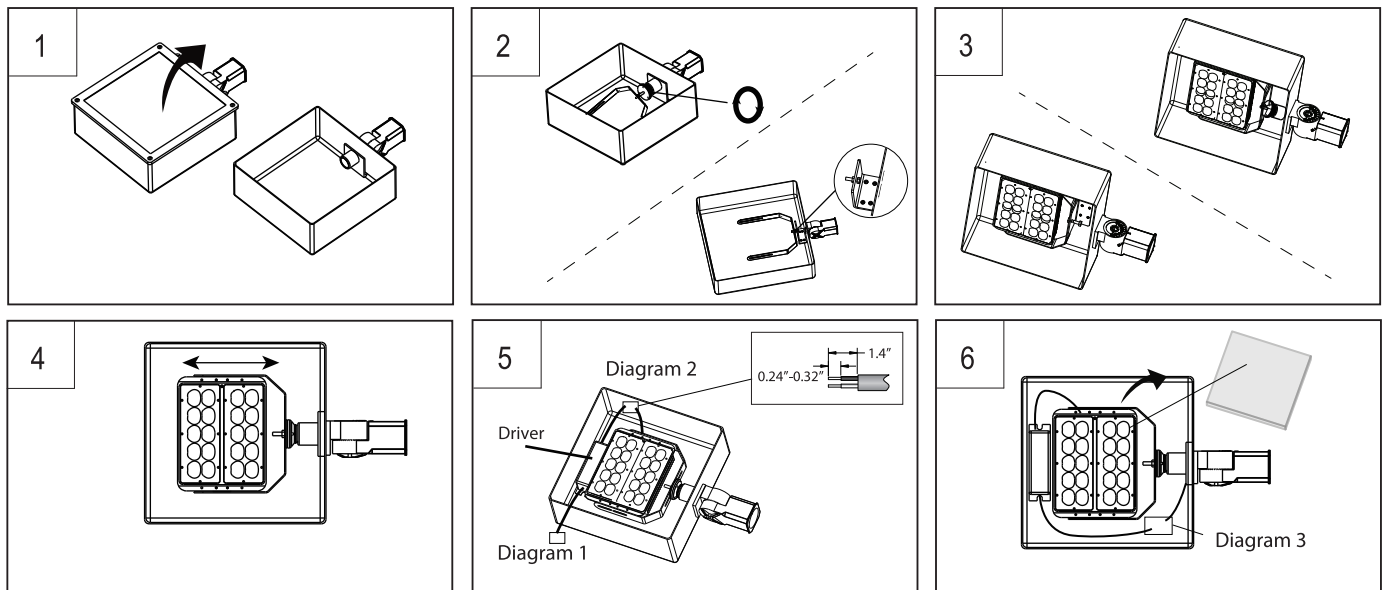
Exploded view of completed assembly with component call out. 1, 2, 3, etc.

The NaturaLED retrofit kit can be installed into a variety of traditional style area lights. This is accomplished by making use of the yoke, hardware provided in this retrofit kit and following the easy steps on this page.

LIGHT FIXTURE PREPERATION

1. Turn OFF source power to the fixture, ensure your safety at all times, check for any other potential line voltage connections such as timers, central photo cells...etc.
2. When converting at the install site please use extreme care cap off all wires that are potential shock hazards, and label the known wires with their identity.
3. Position the fixture so that there is room and access to open it up.
4. With access to the inner compartment of the fixture, remove the existing light source and the components that support it, consist of but not limited to light bulb, ballast, wire loom, reflectors, light shields ...etc.
5. Check for any existing sensors to be applied, if so, check if the sensor compatible to solid state drivers if not, discard these sensors and replace with solid state compatible sensors

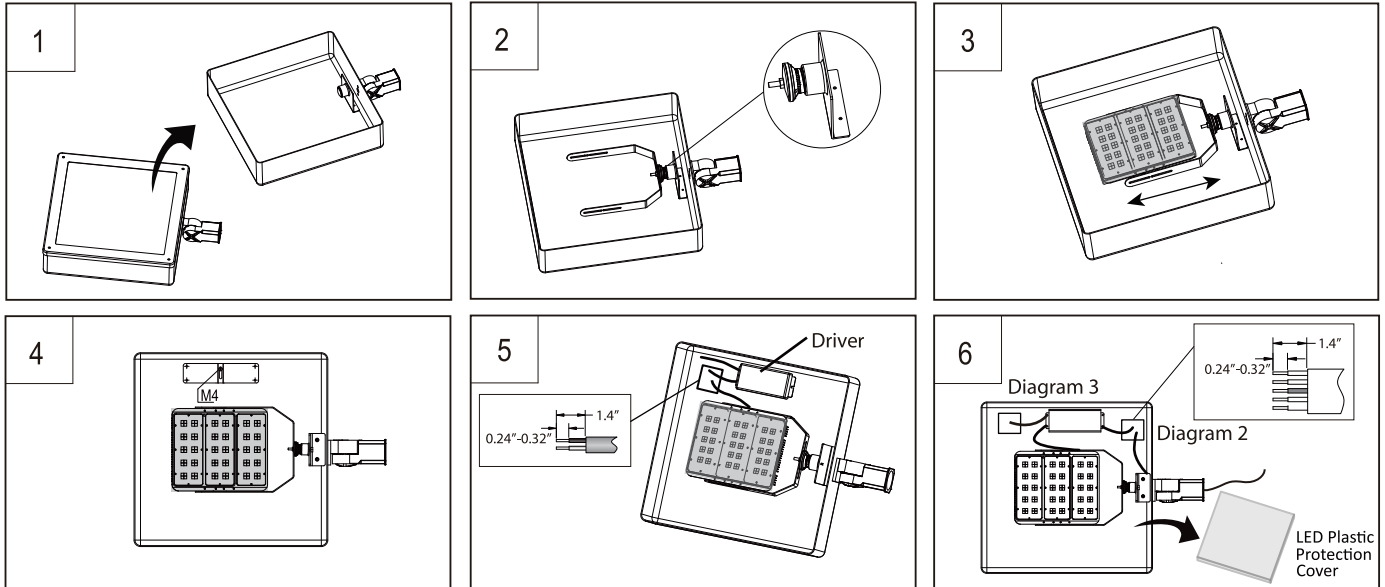
Installing LED module - Area Light



1. Prepare the Fixture for installation
2. Secure the E39 adapter (if needed) and U bracket in position.
3. Security the retrofit LED kit to U bracket and adjust the angle if needed.
4. Pivot or rotate the led module so that it is parallel to the fixture and occupying the center of the bulb section. Be sure the direction of the light is away from the pole this orientation will take advantage of forward light distribution which can be directed away and downward from the fixture. Be sure the cooling fan is clear of any obstructions.
5. Secure the driver on the housing and make the connections between the led module and the driver. (For 300W version, please keep the driver 10cm away from the LED module and close to the housing)
6. Reconnect the AC input wires.
7. Remove the LED protection cover
Replace any shielding, or reflectors if necessary, reinstall the lid to the housing and secure.

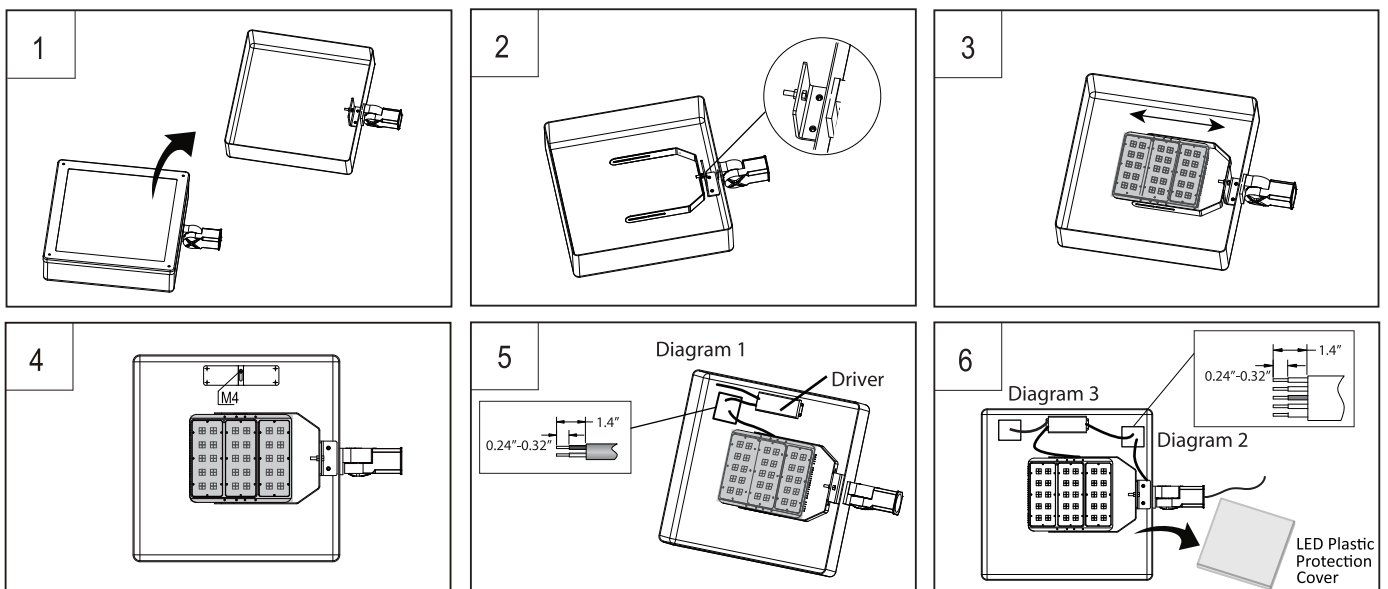
Installing LED module - Area Light 300W only

With E39 Base



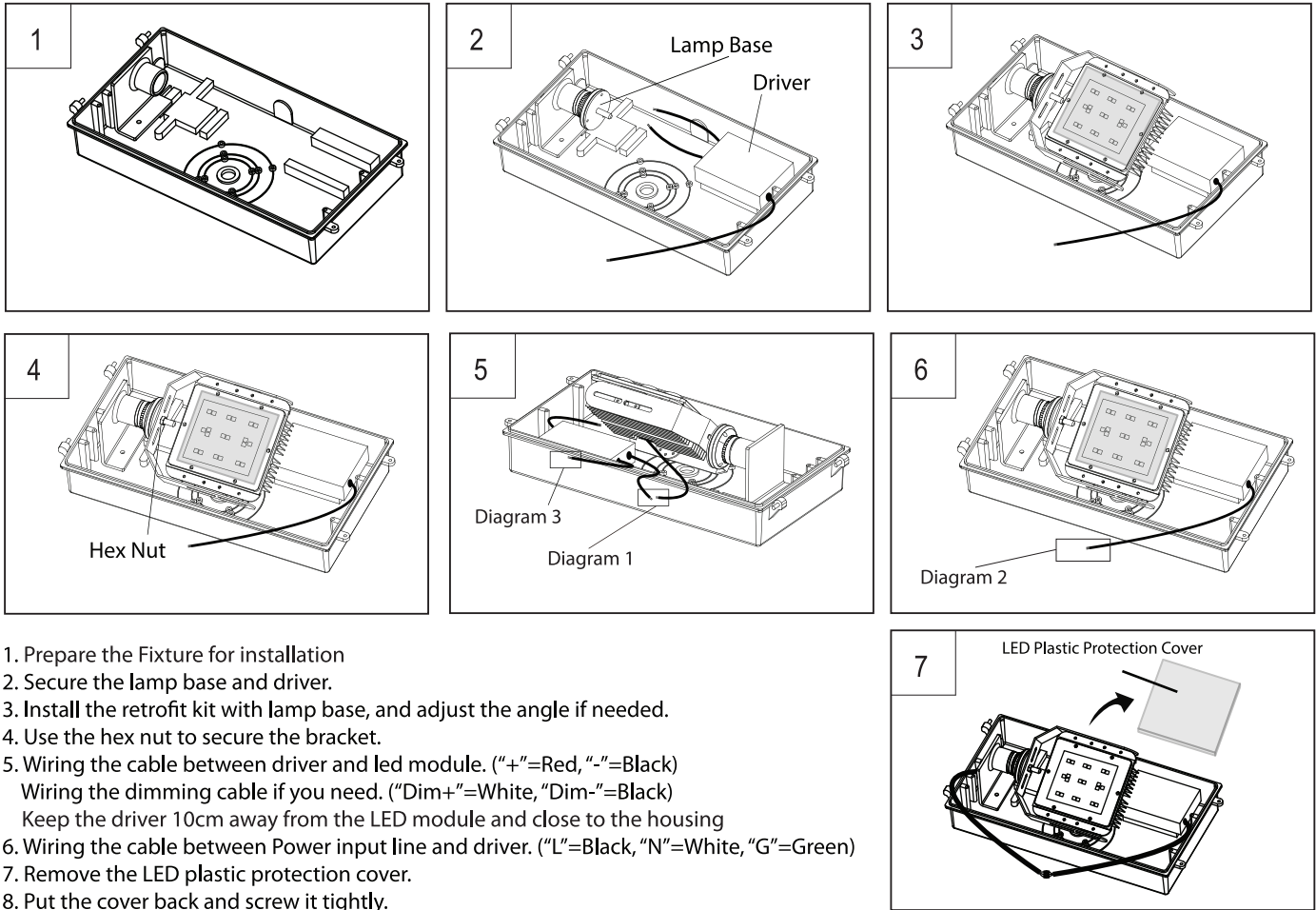
1. Remove the lamp, reflector and ballast of shoebox.
2. Secure the E39 base and U bracket in position inside housing.
3. Secure retrofit LED kit on to U bracket, adjust the angle if needed.
4. Secure the driver plate inside the housing.
5. Secure the driver on driver plate and connect the driver with LED module. (Keep 300w driver 10cm away from LED module)
6. Connect the power cord with power input line, and remove the LED protection cover.

With L Bracket (optional)



1. Remove the lamp, reflector and ballast of shoebox.
2. Secure the E39 base and U bracket in position inside housing.
3. Secure retrofit LED kit on to U bracket, adjust the angle if needed.
4. Secure the driver plate inside the housing.
5. Secure the driver on driver plate and connect the driver with LED module. (Keep 300w driver 10cm away from LED module)
6. Connect the power cord with power input line, and remove the LED protection cover.

Installing LED module - Wall Pack



1. Prepare the Fixture for installation
2. Secure the lamp base and driver.
3. Install the retrofit kit with lamp base, and adjust the angle if needed.
4. Use the hex nut to secure the bracket.
5. Wiring the cable between driver and led module. ("+"=Red, "-"=Black)
Wiring the dimming cable if you need. ("Dim+"=White, "Dim-"=Black)
Keep the driver 10cm away from the LED module and close to the housing
6. Wiring the cable between Power input line and driver. ("L"=Black, "N"=White, "G"=Green)
7. Remove the LED plastic protection cover.
8. Put the cover back and screw it tightly.

Wiring diagram

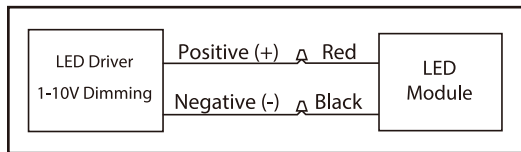


Diagram 1

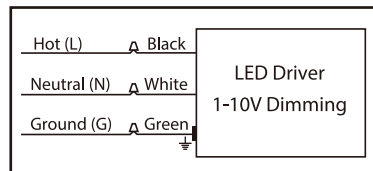


Diagram 2

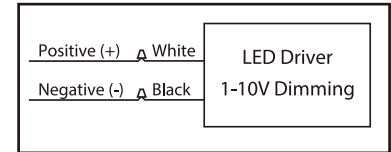
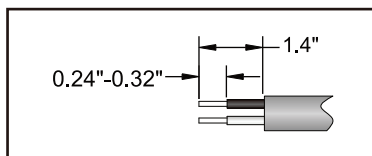


Diagram 3



1. Mechanical Assembly - Components such as switches, fuseholders, connectors, wiring terminals and display lamps are mounted and prevented from shifting or rotating by the use of lockwashers, starwashers, or other mounting format that prevents turning of the component.
2. Grounding - All exposed dead-metal parts and all dead-metal parts within the enclosure that are exposed to contact during any servicing operation are to be connected to the grounding lead and connected to the equipment grounding terminal.
3. Accessibility of Live Parts - All uninsulated live parts in primary circuitry are housed within a metal enclosure constructed with no openings
4. Warnings
 - a. Use only luminaire with lamp compartment dimensions as below :

Model No.	Type of recessed luminaires and min.lamp compartment dimension
LED-RKIT50HID/XXK	315*315*135mm
LED-RKIT120HID/XXK	315*315*135mm
LED-RKIT200HID/XXK	418*418*180mm
LED-RKIT300HID/XXK	600*600*260mm

- b. Risk of fire or electric shock. installation of this retrofit kit requires a person familiar with the construction and operation of the luminaire's electrical system and the hazard involved. if not qualified, do not attempt installation. contact a qualified electrician.
- c. Risk of fire or electric shock. install this kit only in the luminaire that has the construction features and dimensions shown in the photographs and/or drawings and where the input rating of the retrofit kit does not exceed the input rating of the luminaire..
- d. To prevent wiring damage or abrasion, do not expose wiring to edges of sheet metal or other sharp objects.
- e. This retrofit kit is accepted as a component of a luminaire where the suitability of the combination shall be determined by authorities having jurisdiction. product must be installed by a qualified electrician in accordance with the applicable and appropriate electrical codes. the installation guide does not supersede local or national regulations for electrical installations.
- f. Do not make or alter any open holes in an enclosure of wiring or electrical components during kit installation.
- g. This device is not intended for use with emergency exits" AND "ne convient pas aux sorties de secours.